

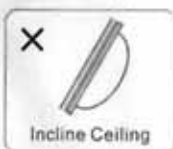
**EN** Thanks for your choice. Your carefully reading of the instruction is highly appreciated to comprehend and install the product. Please keep the instruction for reference.



### Warning:

Do not alter the structure or change components by oneself. Please install and use the product seriously according to the instruction, in order to avoid accidents of damage, falling, electric shock and fire etc.

- Do not use light source beyond the rated voltage range.  
(Long time working beyond the rated voltage range will cause damage to the lamp.)
- Do not install the lamp to locations indicated on the right.  
(The lamp is installed to the ceiling in particular.)
- Do not install the lamp above high temperature substance or in wet places.  
(The lamp will be damaged if installed above the stove, gas or exhausting pipe etc.)
- Do not parallelly connect the dimmer.  
(Parallelly connected with the dimmer will cause damage to the lamp.)
- Please entrust professional electrician with the inspection and maintenance of the lamp.  
(It's dangerous for non-professionals to operate.)
- When abnormality occurs in the lamp, cut the power supply at once and contact the sales shop.  
(The model referred to the label on the lamp is necessary when maintaining.)



### OPPLE Product Certificate

Item: Energy Saving Ceiling Lamp

Inspector: 10 MAR 2015

Manufacture Date:

120040496

Opplle Lighting Co., Ltd.  
Address: Building 3, 1999 Lane, Zhang Heng Road, Zhang Jiang Pudong District Shanghai, China.

Manufacturer 1  
Suzhou Opplle Lighting Co., Ltd.  
Address: East Side, Fenyang Road, Fenthu Economic Development Zone, Wujiang City, Suzhou, China.

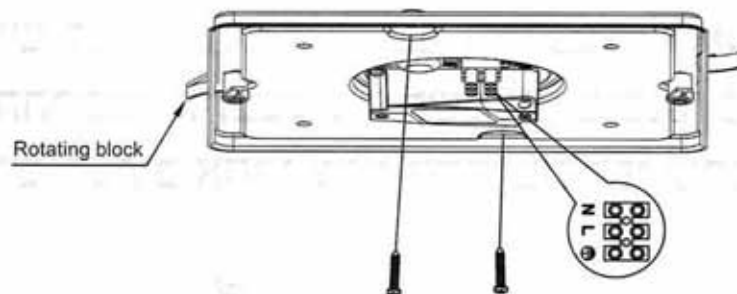
Manufacturer 2  
Opplle Lighting Electronic (Zhongshan) Co., Ltd.  
Address: Building A, No. 275 Dungen Bai Road, Haichou District, Guichen Town, Zhongshan City, Guangdong, China.

<http://www.opplle.com> E-mail: [intersales@opplle.com](mailto:intersales@opplle.com)

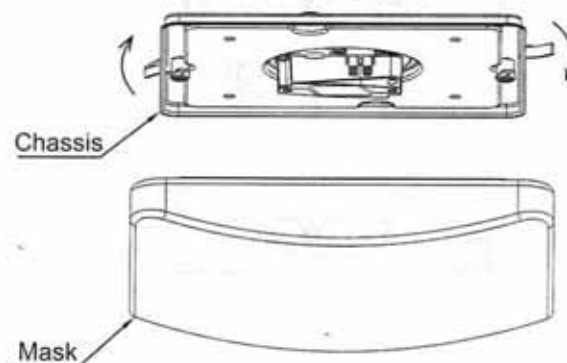
### Name of the Parts & Installation steps:

Note: please turn off power before installation to avoid electric shock.

1. Unwrap package, take out lamp and accessory package, turn rotating block to take down mask, and fix the chassis on reinforced area of ceiling by using screws and plastic staples, and then connect power line with terminal (enlarging picture).



2. Align mask with chassis and cover it, turn rotating block and tighten.



3. The lamp after installation is shown in the picture.



### ■ Maintenance

In order to use our products safely and efficiently, please fix a date (about once half one year) to check and clear the lamp. If there is necessary to clear the lamp, please use soft cloth with few soap water after wring it. Please don't use volatile materials such as dilution, gasol, or insecticide, otherwise, the lamps would be easily to change color or break.

Remark: The amount and the shape of tube may be different as models, but the fixed method is the same.